

SONY

Service Bulletin No. 49

SONY CORPORATION OF AMERICA
Technical Publications Department
47-47 Van Dam Street, Long Island City, New York 11101

Model: TA-4650, -5650

Subject: V-FET Replacement

Date: August 16, 1976

The TA-4650 uses two V-FETs (2SJ18 and 2SK60) and the TA-5650 uses four V-FETs, in each channel of its power amplifier. Both the 2SJ18 and 2SK60 are divided into six ranks (-53 to -58) according to their V_{sgo} (gate-source voltage) and V_p (cut-off voltage). It is necessary to use the same rank V-FETs in the same channel. The rank is indicated on each V-FET as shown. If the correct rank is not available, replace with a complete set of another rank.



It should be noted that only the ranks from -54 to -57 are usable in the TA-4650/5650.

SONY

hi-fi Service Bulletin No. 62

SONY CORPORATION OF AMERICA
Technical Publications Department
47-47 Van Dam Street, Long Island City, New York 11101

Model: TA-4650, -5650, -8650
TAN-5550, -8550

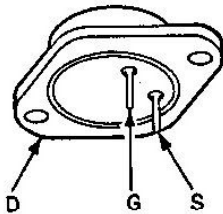
Subject: V-FET Replacement

Date: August 15, 1977

Refer also to Hi-Fi Service Bulletins No. 41, 49, and 51.

Perform the following procedure if V-FET failure is suspected. To avoid damage to a replacement V-FET, do not replace without first making this check.

1. Turn off the power and remove the suspect V-FET.
2. Check resistance readings of this V-FET using a VOM set to the $X1\Omega$ range. See illustration below.



2SJ18, 2SK60

VOM set to $X1\Omega$ range.

S to D ----- Approx. $1\sim 2\Omega$

S to G ----- Same as a diode

D to G ----- Same as a diode

If readings appear normal, the V-FET is probably okay, and other circuit components should be checked.

3. If readings are not normal, turn on the power with the V-FET still out of the circuit. Set the VOM to the 50 VDC range (or as close as possible) and connect the leads to the V-FET conductor patterns on the board as follows:

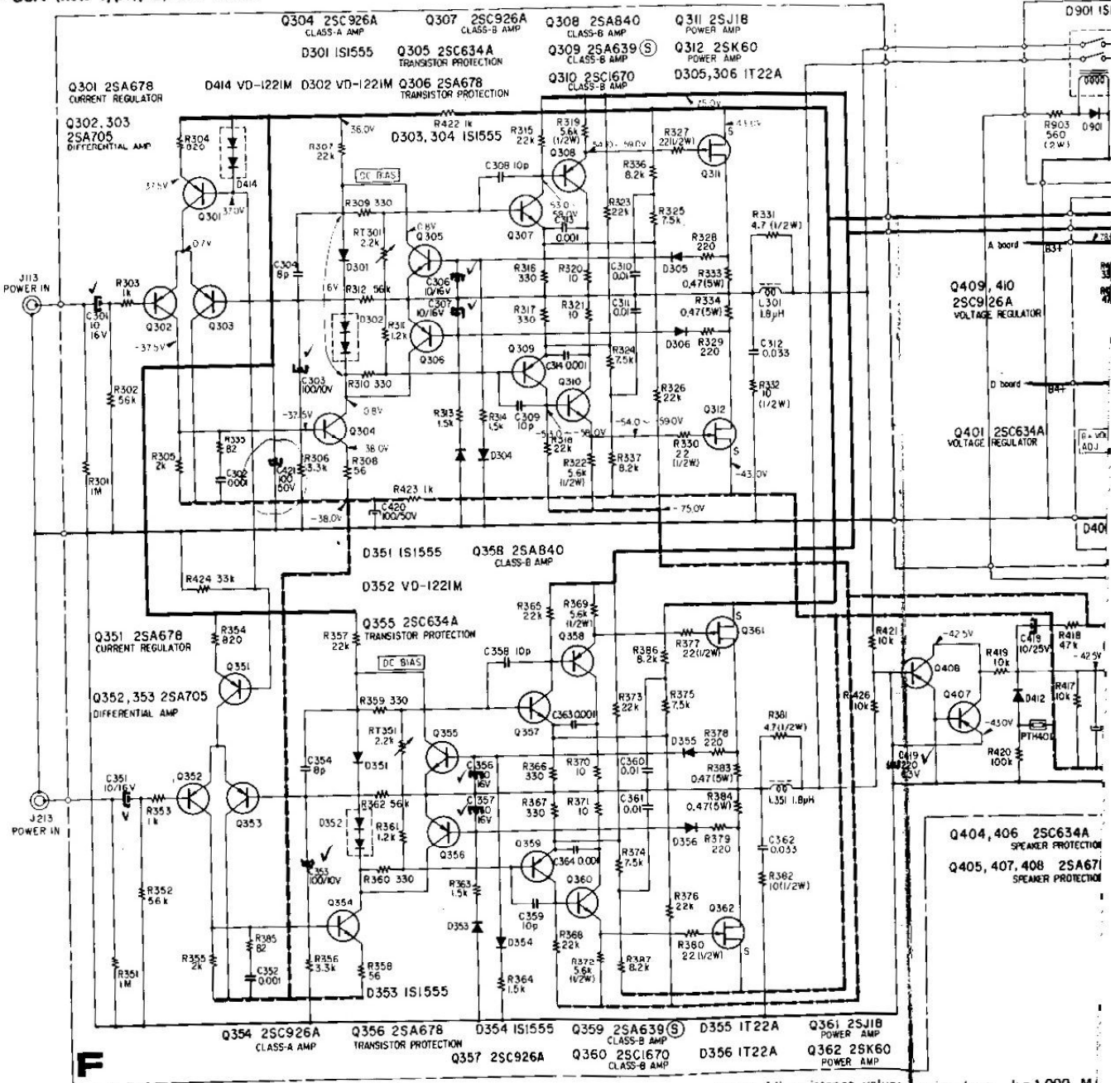
V-FET	source	gate
2SJ18	VOM (+)	VOM (-)
2SK60	VOM (-)	VOM (+)

4. Set the dc bias adjust resistor (see below) on the Power Amp Board for maximum reading.

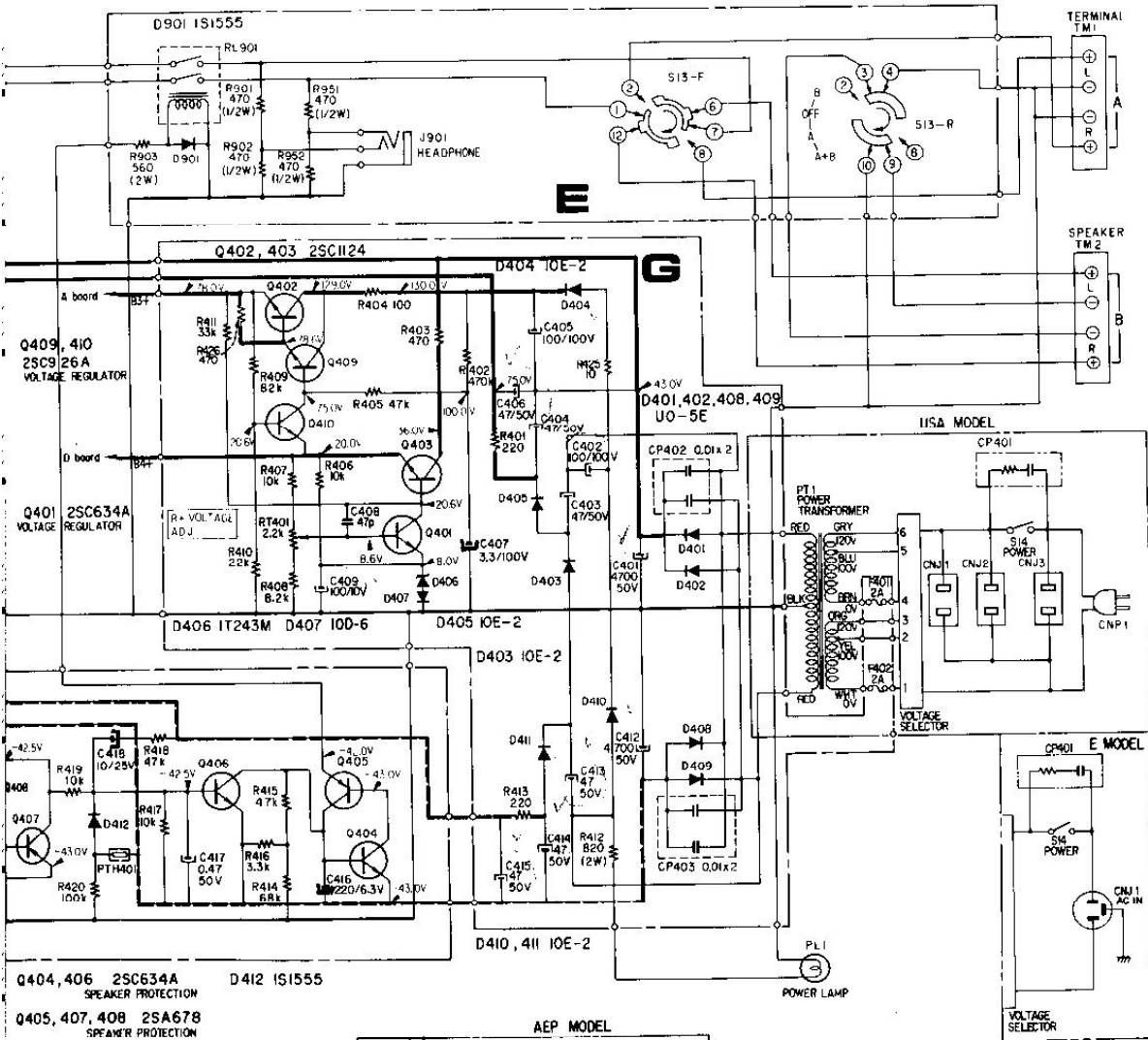
TA-4650, -5650	-	RT-301 (RT-351)
TA-8650, TAN-8550	-	RT-701 (RT-751)
TAN-5550	-	RT-501 (RT-601)

5. Turn off the power and install the replacement V-FET. Reapply power and reset the dc bias according to the service manual for the respective model.

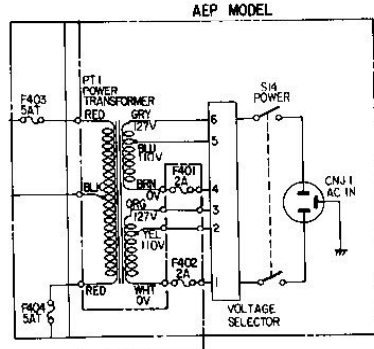
SCHEMATIC DIAGRAM - Power Amplifier Section -
 - USA (new type), E, AEP model -



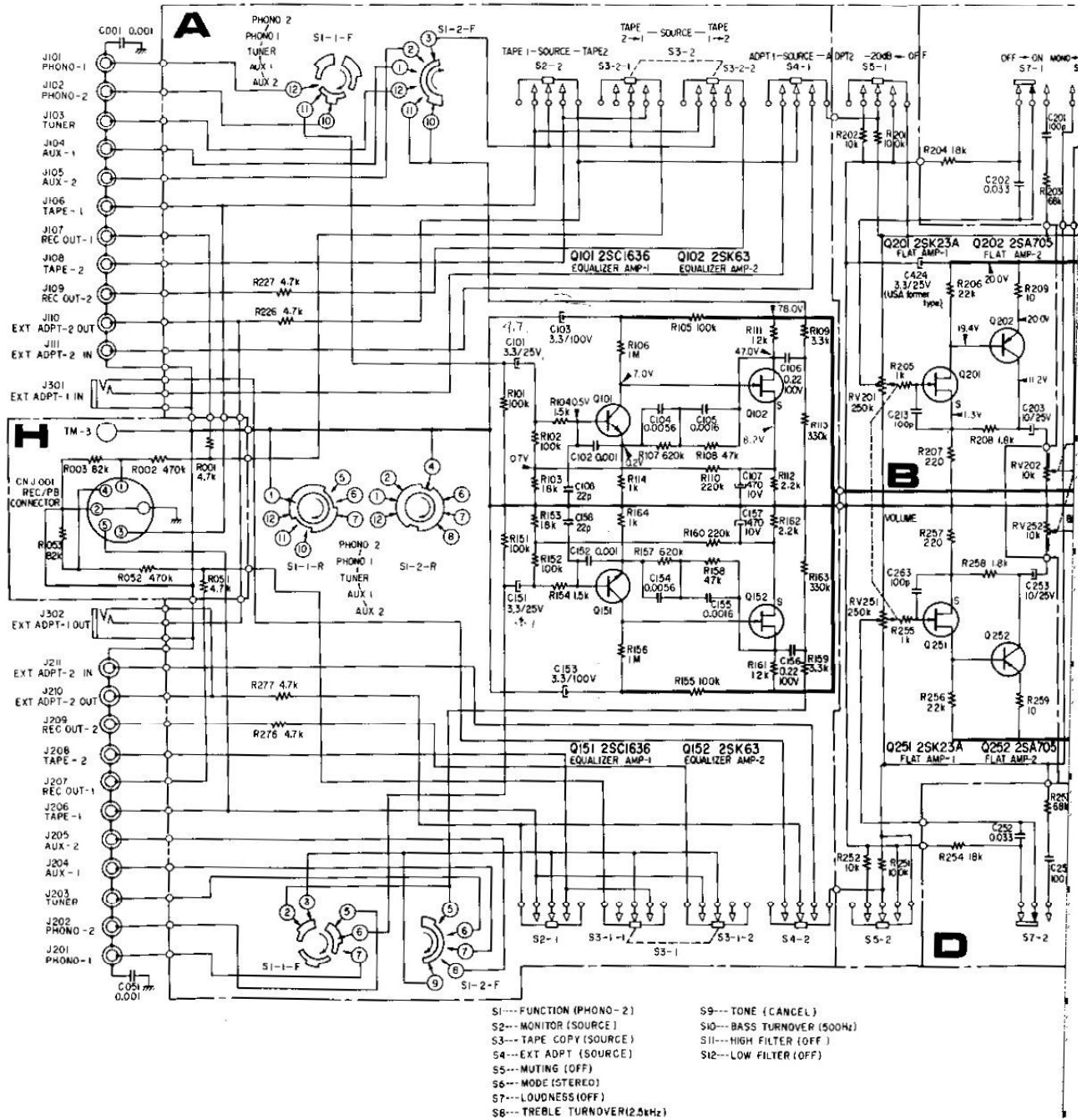
Note: All resistance values are in ohms. k = 1,000, M = 1,000,000.
 All capacitance values are in μF except as indicated which means pF.

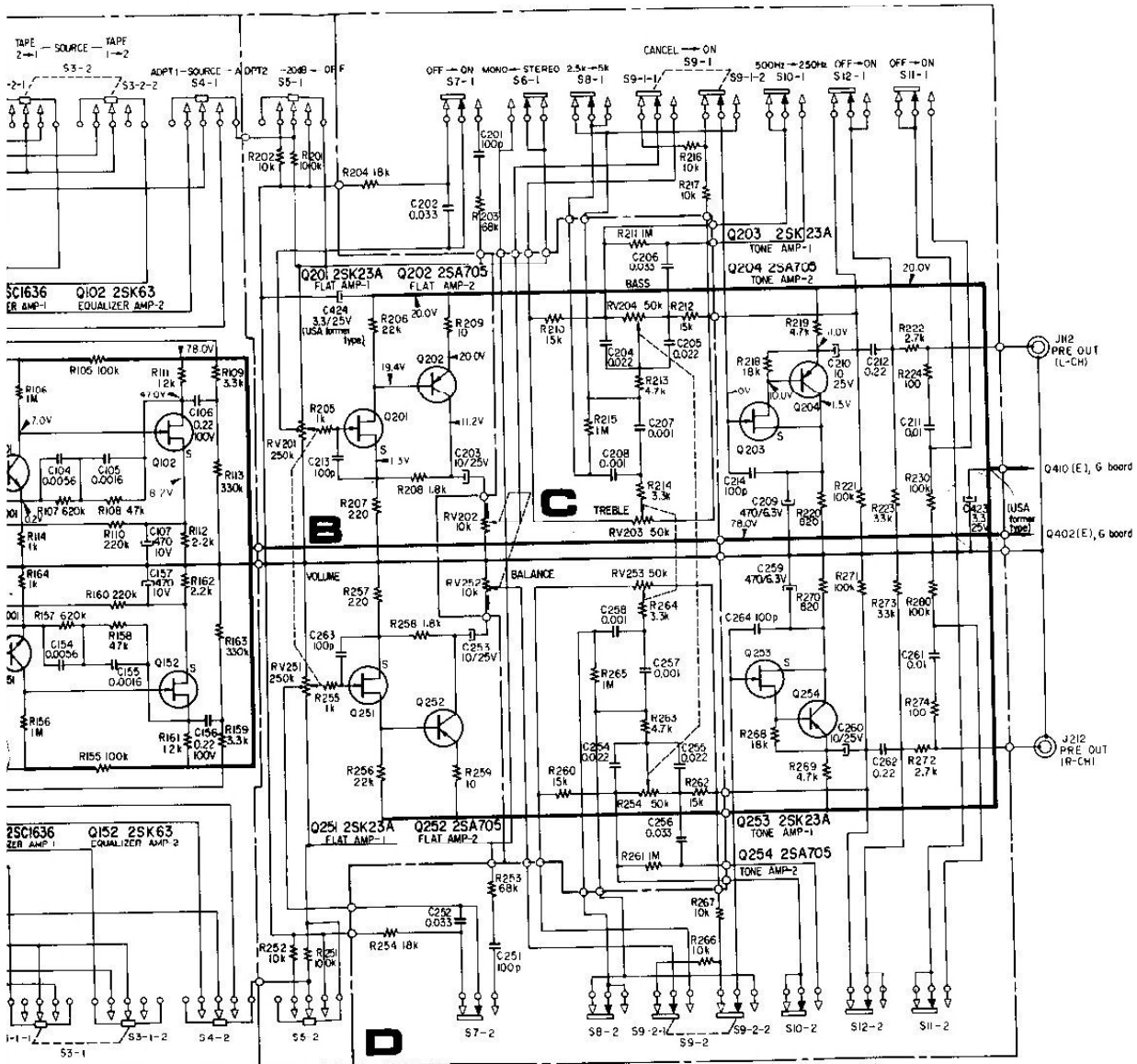


in ohms. k = 1,000, M = 1,000k.
 in μF except as indicated with p,
 and with a VOM which has an input
 pl. No signal in.
 is noted because of normal pro-



SCHEMATIC DIAGRAM - Preamplifier Section -





NO-2) S9--- TONE (CANCEL)
 CE1) S10--- BASS TURNOVER (500Hz)
 SOURCE1) S11--- HIGH FILTER (OFF)
 SOURCE2) S12--- LOW FILTER (OFF)

1)
 2)
 OVER(2.5kHz)

Note: All resistance values are in ohms. k =
 All capacitance values are in μF except
 which means μM .
 All voltages are dc measured with a VOI
 impedance of 20k ohms/volt. No signa
 Voltage variations may be noted bec
 duction tolerances.

■ : B +

SECTION 2 ADJUSTMENTS

Note: Turn POWER on and allow about three minutes for warm-up:

2-1. POWER SUPPLY VOLTAGE ADJUSTMENT

See Fig. 2-1 and 2-2.

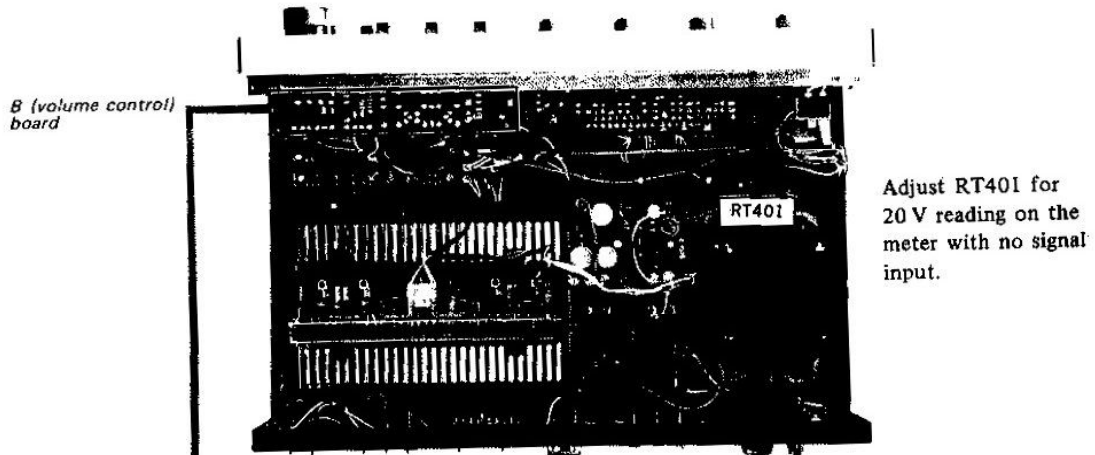


Fig. 2-1.

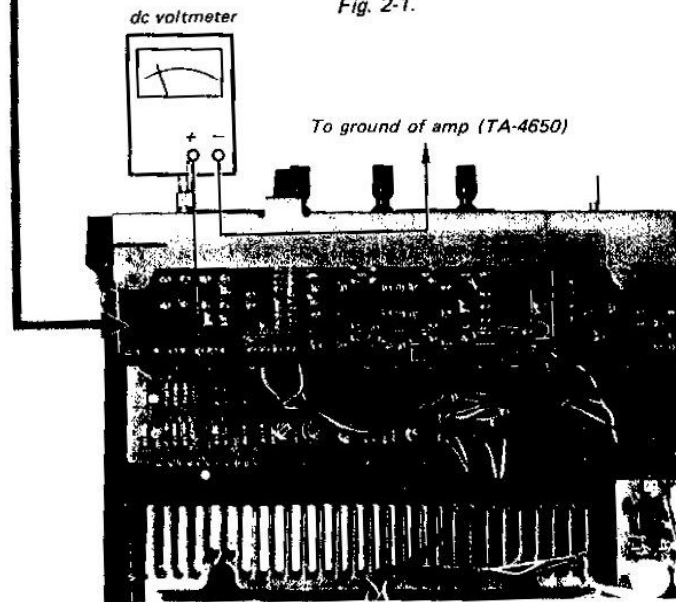


Fig. 2-2.